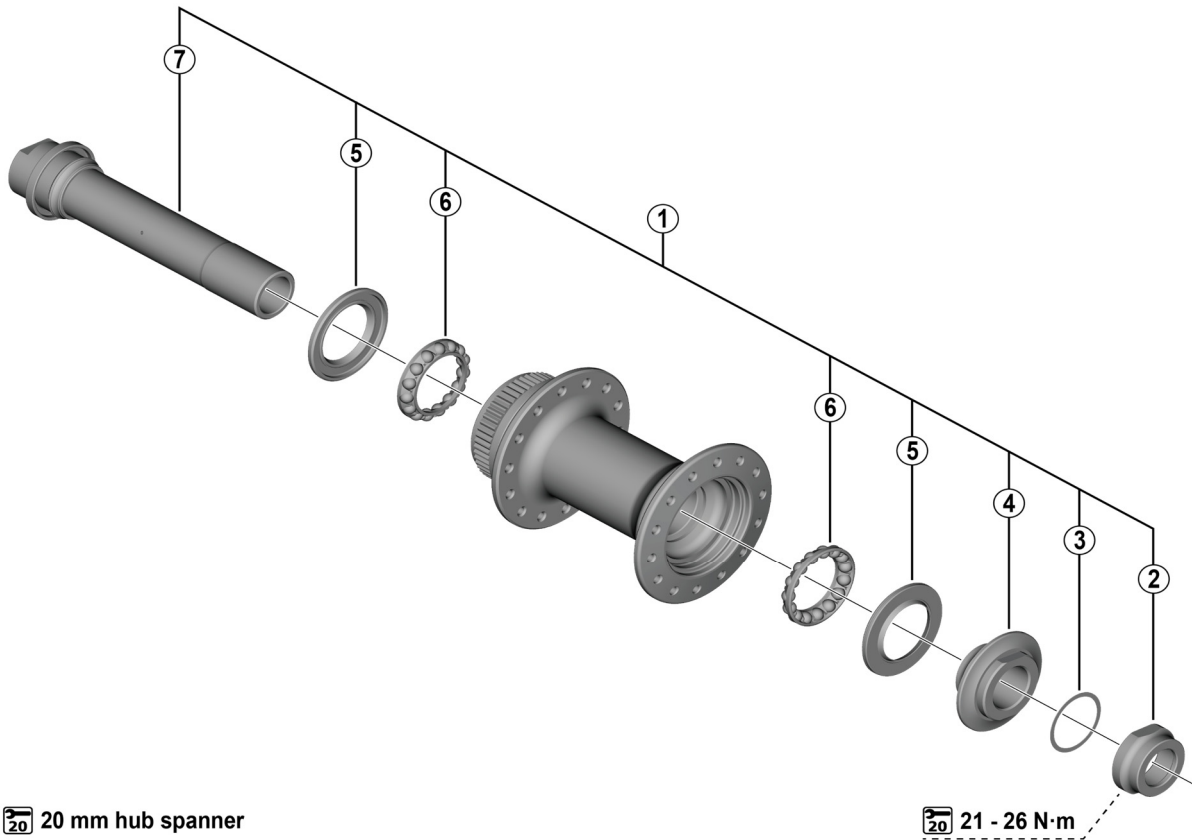



# Front Hub HB-RS470 For Disc Brake



 20 mm hub spanner

 21 - 26 N·m

• O.L.D. 100 mm

ITEM NO.	SHIMANO CODE NO.	DESCRIPTION	INTERCHANGEABILITY	
			WH-RS170-F12	WH-RX31F12
1	Y0H798010	Complete hub axle	A	
2	Y07B06000	Right-hand lock nut	A	A
3	Y38Z26000	Adjusting washer	A	
* 4	Y07B98020	Right-hand cone with dust cap	A	
5	Y26D10000	Seal ring	A	A
6	Y0CJ98030	Ball retainer (5/32" x 15)	A	
7	Y0H798020	Hub axle unit		

A: Same parts.

B: Parts are usable, but differ in materials, appearance, finish, size, etc.

Absence of mark indicates non-interchangeability.

Specifications are subject to change without notice.

Torque information is listed.

Dec.-2023-4553A

© Shimano Inc. |

# SHIMANO