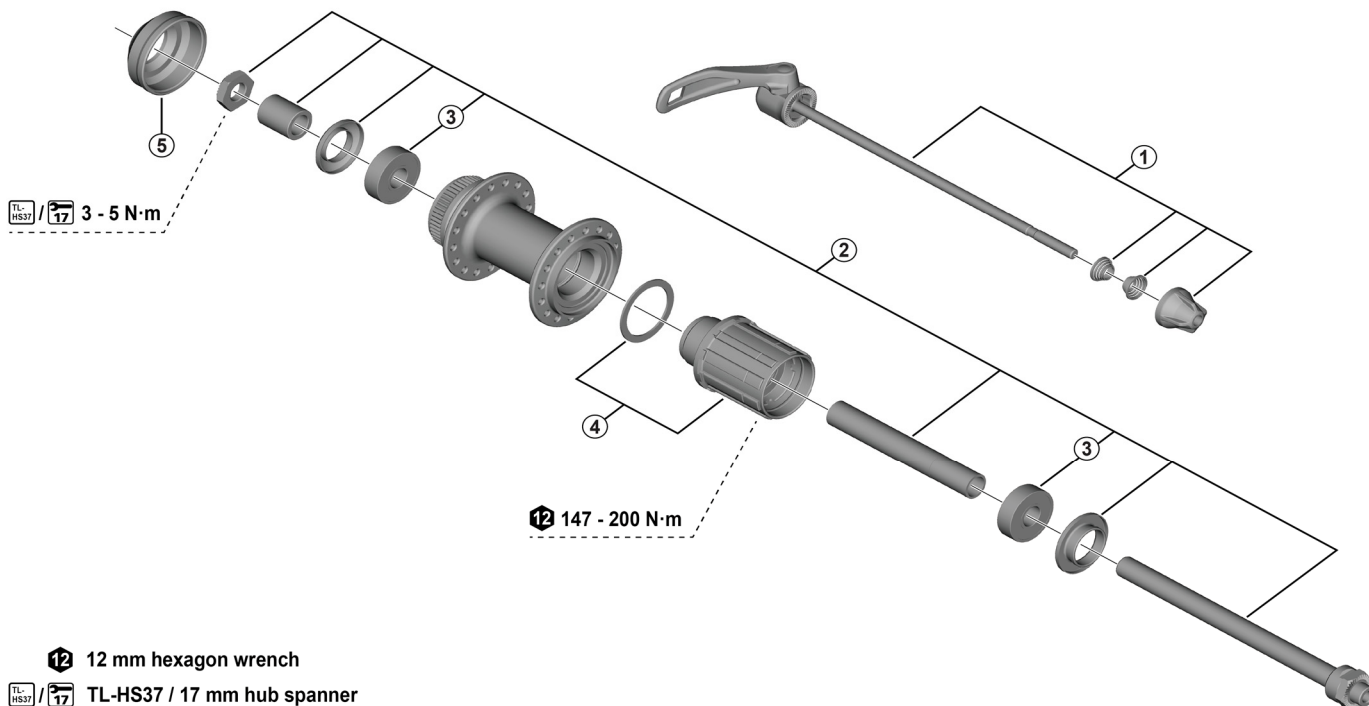


FREEHUB (For Disc Brake)

FH-QC400-HM

FH-QC400-HM-B

11/10/9/8-speed



12 12 mm hexagon wrench
TL-HS37 / 17 TL-HS37 / 17 mm hub spanner

• O.L.D.

135 mm for FH-QC400-HM

141 mm for FH-QC400-HM-B

ITEM NO.	SHIMANO CODE NO.	DESCRIPTION	INTERCHANGEABILITY	
			FH-M4050	HB-QC400
* 1	Y4SK98120	Complete quick release 168 mm	A	
	Y31H98010	Complete quick release 173 mm	A	
	Y3HW98010	Complete quick release 174 mm		
	Y3GC98040	Complete quick release 178 mm		
* 2	Y3K198010	Complete hub axle for FH-QC400-HM		
	Y3KK98010	Complete hub axle for FH-QC400-HM-B		
3	Y3K19802T	Sealed cartridge bearing (10 x 26 x 8)		B
4	Y3K198030	Complete freewheel body		
5	Y2K29801T	Rotor mount cover		A

A: Same parts.

B: Parts are usable, but differ in materials, appearance, finish, size, etc.

Absence of mark indicates non-interchangeability.

Specifications are subject to change without notice.

Torque information is listed.

Apr.-2024-5041A

© Shimano Inc. |

SHIMANO