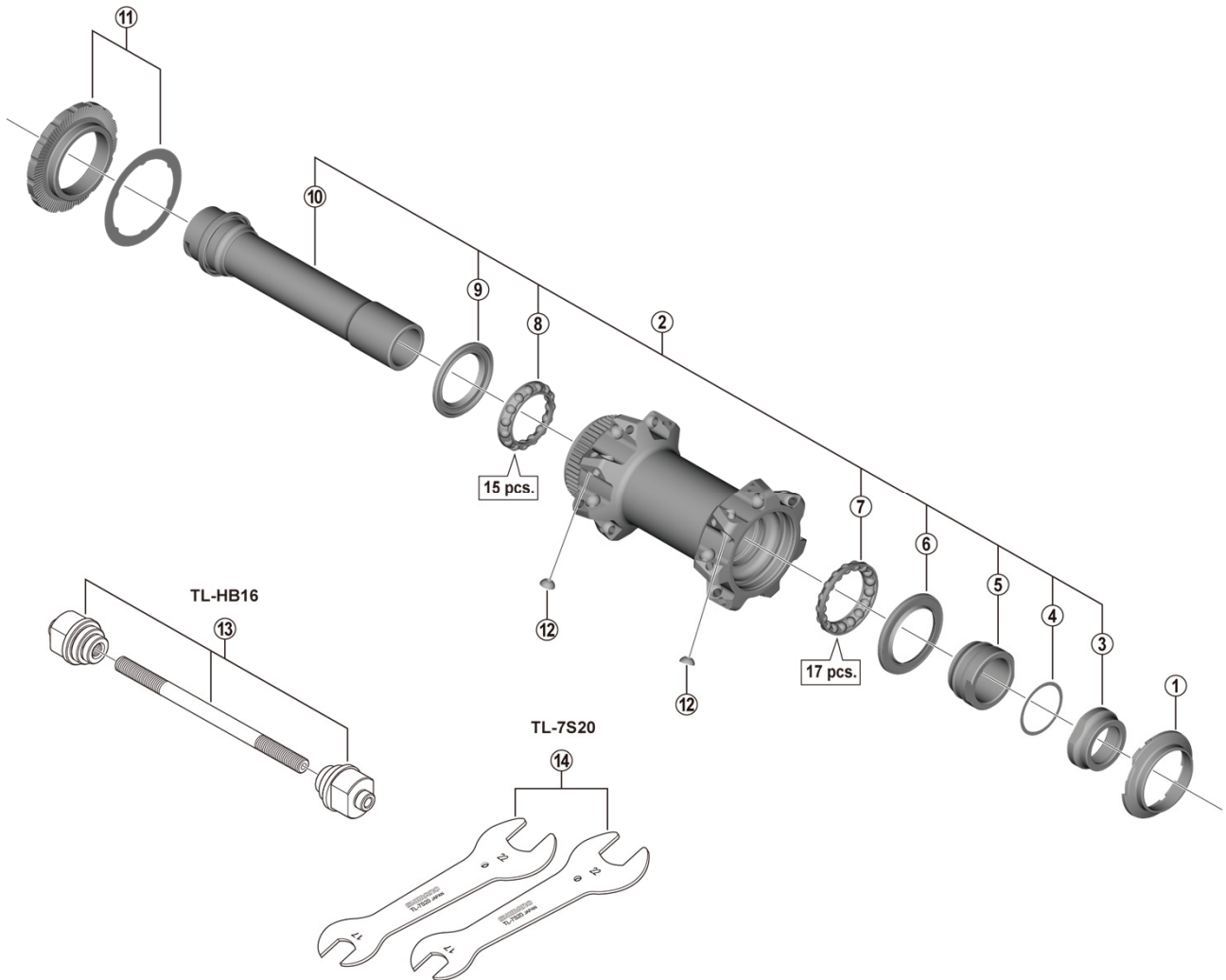


Front Hub (For Disc Brake) HB-MT900-BS



• Over Lock Nut Dimension: 110 mm (4-11/32")

WHM8000-F15-B

ITEM NO.	SHIMANO CODE NO.	DESCRIPTION	INTERCHANGEABILITY		
1	Y27X17000	Cap	A		
2	Y2D598010	Complete Hub Axle	-		
3	Y2A500050	Right Hand Lock Nut	A		
4	Y24613000	Adjusting Washer	-		
5	Y24606000	Right Hand Cone (M19)	-		
6	Y27X15000	Right Hand Seal Ring	A		
7	Y27X98030	Right Hand Ball Retainer (5/32" x 17)	-		
8	Y27X98040	Left Hand Ball Retainer (5/32" x 15)	-		
9	Y27X14000	Left Hand Seal Ring	A		
10	Y2AH98020	Hub Axle Unit	-		
11	Y2CW98050	Lock Ring & Washer	-		
12	Y44801000	Spherical Washer	-		
13	Y20W98020	TL-HB16 Hub Setting Tool	-		
14	Y13098900	TL-7S20 Hub Spanner (17 mm x 22 mm) 2 pcs.	-		

A: Same parts.

B: Parts are usable, but differ in materials, appearance, finish, size, etc.

Absence of mark indicates non-interchangeability.

Specifications are subject to change without notice.

Jan.-2019-4460

© Shimano Inc. ITP

SHIMANO