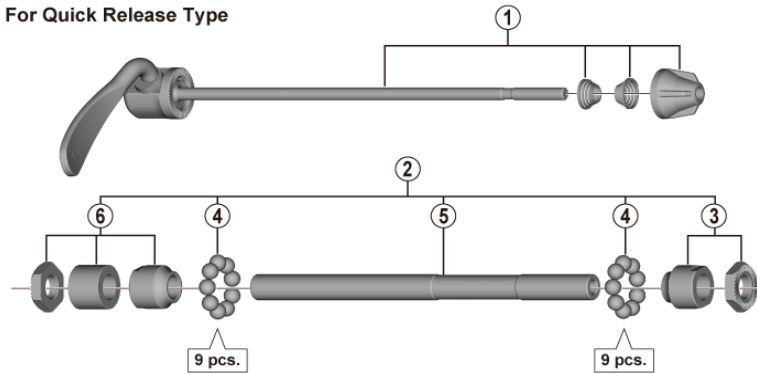
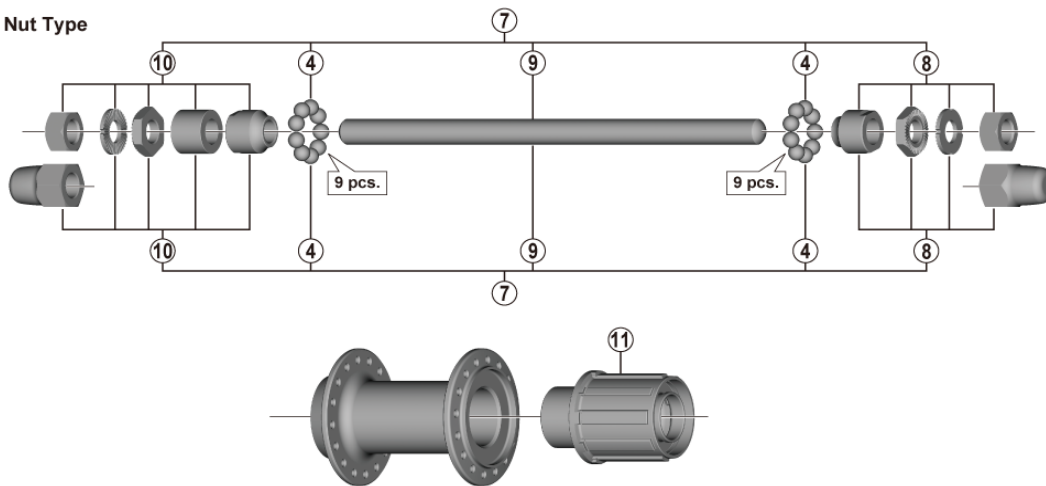


# Freehub FH-TY500 7-speed

For Quick Release Type



For Nut Type



• Over Lock Nut Dimension: 130mm / 135 mm

ITEM NO.	SHIMANO CODE NO.	DESCRIPTION	FH-TX500		FH-RM30	
			INTERCHANGEABILITY			
1	Y3F698010	Complete quick release 161 mm (black)			A	
	Y31U98010	Complete quick release 166 mm (black)	A		A	
	Y31U98020	Complete quick release 170 mm (black)	A		A	
2	Y3F698020	Complete hub axle 146 mm for quick release type				B
	Y3F698030	Complete hub axle 141 mm for quick release type				B
3	Y3E698020	Right hand lock nut Unit for quick release type			A	B
4	Y34T98030	Steel ball (1/4") 18 pcs.	A		A	A
5	Y31S00010	Hub axle M10 x 146 mm for quick release type				B
	Y3F607000	Hub axle M10 x 141 mm for quick release type				B
6	Y3F698040	Left hand lock nut unit for quick release type (T=13)				B
	Y3F698050	Left hand lock nut unit for quick release type (T=8)				B
7	Y3F698060	Complete hub axle 185 mm				B
	Y3F698070	Complete hub axle 180 mm				B
	Y3F798040	Complete hub axle 195 mm for cap nut type				B
8	Y3F698080	Right hand lock nut unit	A		B	
	Y3F798020	Right hand lock nut unit for cap nut type				B
9	Y3F705000	Hub axle M10 x 195 mm				
	Y3E750000	Hub axle M10 x 185 mm				B
	Y3F704000	Hub axle M10 x 180 mm				B
10	Y3F698090	Left hand lock nut unit (T=13)				B
	Y3F698100	Left hand lock nut unit (T=8)				B
	Y3F798030	Left hand lock nut unit for cap nut type (T=13)				B
11	Y3F698110	Freewheel body unit				

A: Same parts.

B: Parts are usable, but differ in materials, appearance, finish, size, etc.

Absence of mark indicates non-interchangeability.

Specifications are subject to change without notice.

Oct. 2021-4359B

© Shimano Inc. I

# SHIMANO