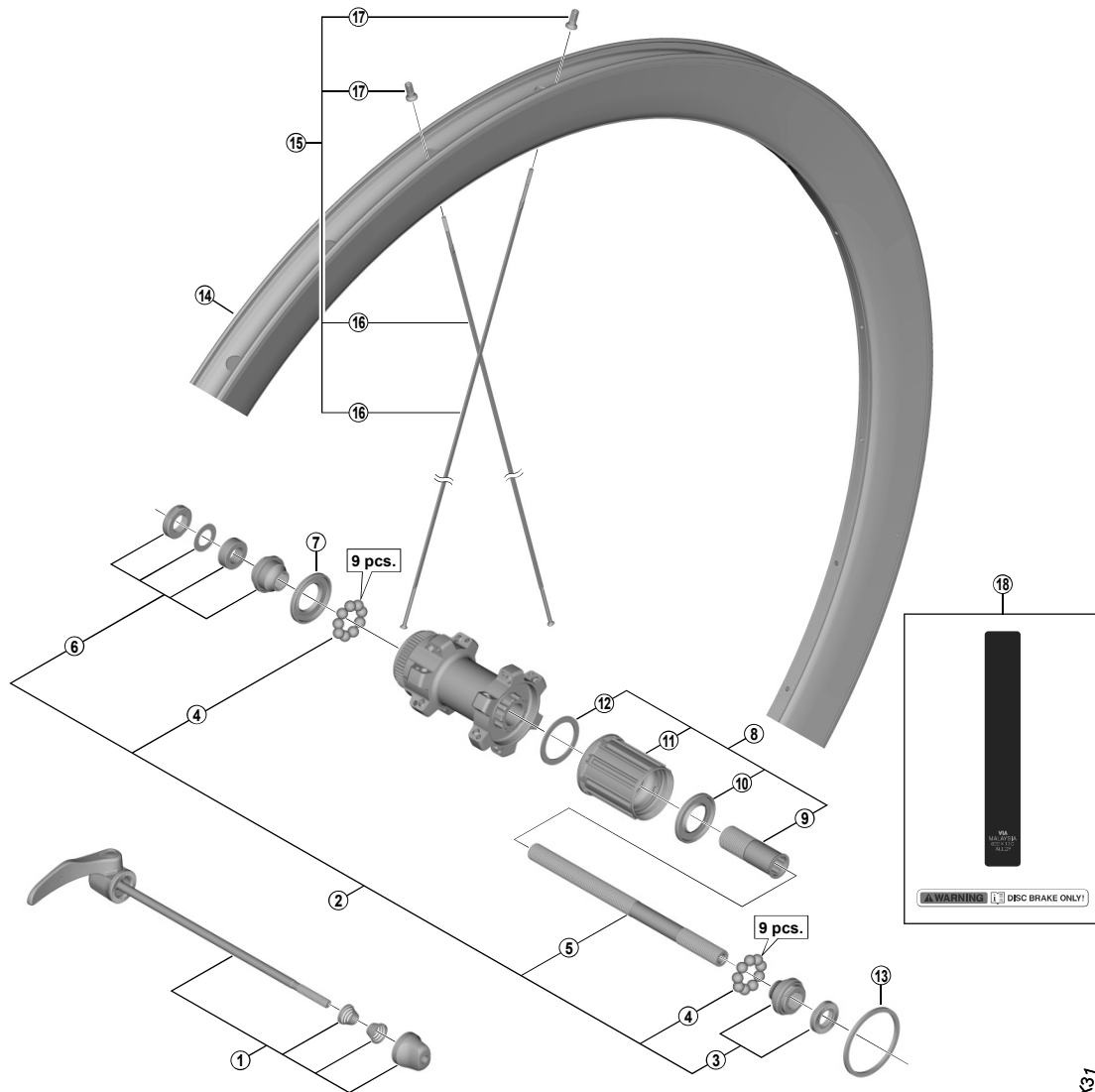


METREA Rear Wheel (10/11-speed)

WH-U5000-R



WH-RX31

• Over Lock Nut Dimension: 135 mm (5-5/16")

ITEM NO.	SHIMANO CODE NO.	DESCRIPTION	INTERCHANGEABILITY		
1	Y06G98010	Complete Quick Release 168 mm (6-5/8")			
	Y06G98020	Complete Quick Release 173 mm (6-13/16")			
2	Y44Y98020	Complete Hub Axle 146 mm (5-3/4")	A		
3	Y49998190	Right Hand Lock Nut Unit	A		
4	Y00091310	Steel Ball (1/4") 18 pcs.	A		
5	Y30K01200	Hub Axle M10 x 146 mm (5-3/4")	A		
6	Y44Y98030	Left Hand Lock Nut Unit	A		
7	Y3CR09000	Left Hand Seal Ring	A		
8	Y06G98030	Complete Freewheel Body	B		
9	Y3D310000	Body Fixing Bolt			
10	Y3CR08000	Right Hand Seal Ring	A		
	Y06G98040	Freewheel Body Unit	A		
12	Y3AN10000	Hub Shell Spacer	A		
13	Y4T724000	Low Spacer (1.85 mm)	A		
14	EWHRIMZ2F50	Rim {24H}			
15	EWHSPOKEY272U	Spoke Unit {Spoke (289 mm x 24 pcs.) / Nipple (24 pcs.)}			
16	Y06F00012	Spoke (289 mm)			
17	Y4T713000	Inner Nipple			
18	Y06F98050	Rim Sticker Unit			

A: Same parts.

B: Parts are usable, but differ in materials, appearance, finish, size, etc.

Absence of mark indicates non-interchangeability.

Specifications are subject to change without notice.

May-2016-4121

© Shimano Inc. I

SHIMANO