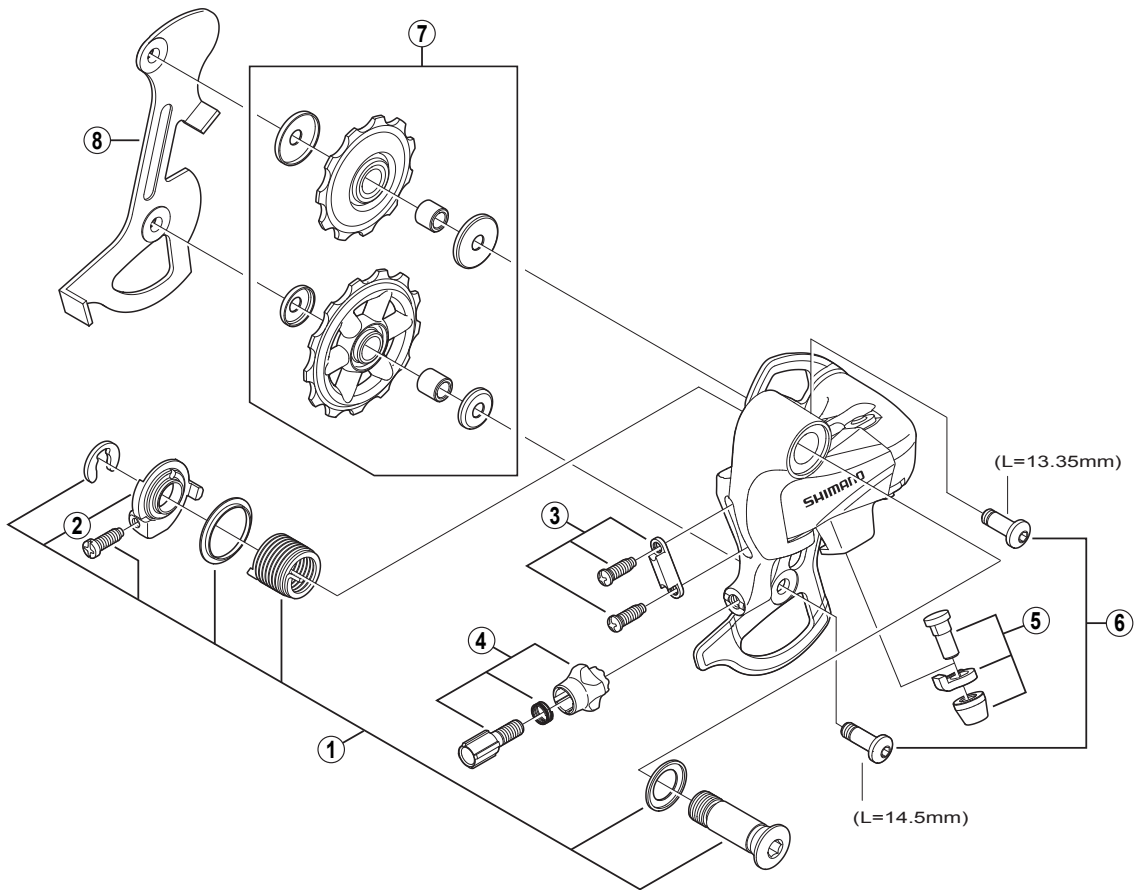


SHIMANO Rear Derailleur RD-2300



RD-3400
RD-2200

ITEM NO.	SHIMANO CODE NO.	DESCRIPTION	INTERCHANGEABILITY
1	Y-5XA98010	B-Axle Assembly	
2	Y-5T8 22000	B-Tension Adjusting Screw (M4 x 12)	A A
3	Y-5VY98020	Stroke Adjusting Screws (M4 x 11.5) & Plate	A
4	Y-5VP98030	Cable Adjusting Bolt Unit	A
5	Y-5XA98020	Cable Fixing Bolt Unit	
6	Y-5XA98030	Pulley Bolt Unit	
7	Y-5XA98040	Tension & Guide Pulley Set	
8	Y-5UX15000	Inner Plate	A

A: Same parts.

B: Parts are usable, but differ in materials, appearance, finish, size, etc.

Absence of mark indicates non-interchangeability.

0903-2923

Specifications are subject to change without notice.

SHIMANO