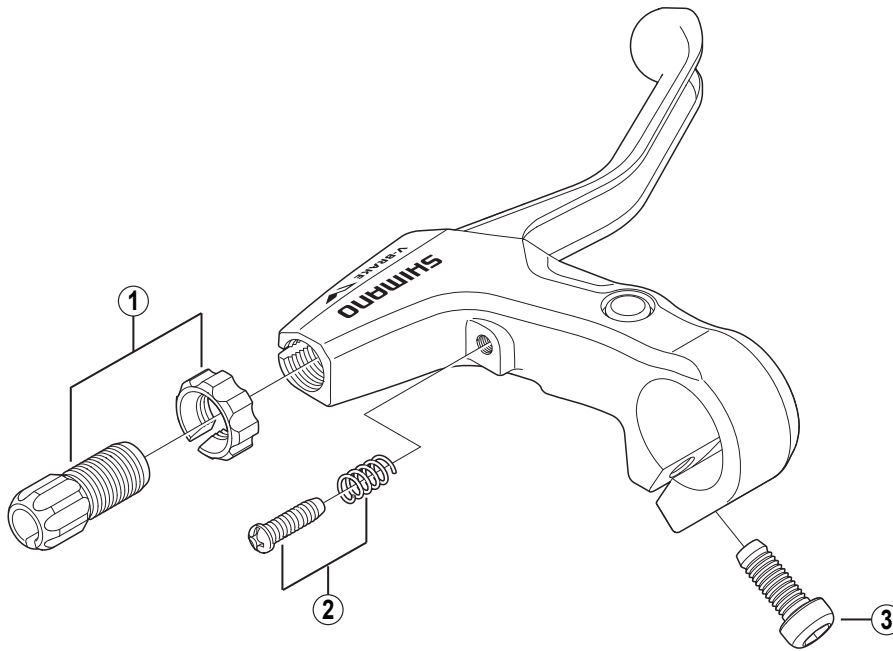


SHIMANO V-Brake Lever (2-Finger)

BL-M421 -S Silver Version

BL-M421 -L Black Version



BL-M420
BL-C600

ITEM NO.	SHIMANO CODE NO.	DESCRIPTION	INTERCHANGEABILITY
1	Y-8UM 98010	Cable Adjusting Bolt (M10 x 16) & Nut	B
2	Y-8UM 98020	Reach Adjusting Bolt (M4 x 14.5) & Spring	B B
3	Y-6A7 80010	Clamp Bolt (M6 x 16)	B

A: Same parts.

B: Parts are usable, but differ in materials, appearance, finish, size, etc.

Absence of mark indicates non-interchangeability.

0803-2781

Specifications are subject to change without notice.

SHIMANO